

# HYBRID SERIES CONNECTOR



**Hybrid Connectors** integrate air lines, electrical connections and fluid lines into a single, compact connection point for remote tools on medical devices and equipment. Eliminating the potential for misconnecting tubing and wires, CPC's Hybrid Connector platform options reduce multiple connections and allow clinicians or patients to quickly and easily change or replace modular tools, umbilicals or hand pieces.

**Large Format Hybrid Connector** – Now available with four times the flow capacity, this connector features multiple dry-break couplings and easy-to-use twist latch for secure, repeatable connection of multiple lines.

## FEATURES

Single connection point for pneumatic, fluid, and power connections between a device and its tool/hand piece

Non-spill shutoff valves with dry-break technology

Turnkey solution

Off-the-shelf assembly

Custom options available

## BENEFITS

Increases safety and makes systems data more user friendly

Eliminate fluid drips upon disconnect and minimize air inclusion

Reduces multiple components

Minimizes engineering design and manufacturing effort

Flexibility to add additional fluid connector or electrical contacts

## Specifications ● ● ●

### PRESSURE:

Vacuum to 45 psi, 3.1 bar

### TEMPERATURE:

32°F to 120°F (0°C to 49°C)

### MATERIALS:

**Non-wetted coupler components:** Glass-filled polypropylene

**Wetted coupler components:** Glass-filled polypropylene

**Springs:** Stainless steel

**Electrical contacts:** Gold-plated copper alloy

**O-rings:** EPDM

**Fluid tubing:** Polyurethane (PU)

**Umbilical tubing:** PVC

**COLOR:** Gray

### TERMINATIONS:

**Panel:** Two 1/8" (3.2mm) hose barbs on panel and four 20 ga wires with 12" (304.3mm) pigtail

**Umbilical Hose:** 8' (2.44M) umbilical with two 1/8" (3.2mm) ID PU tubing and four 20ga wires with 3" (76.2mm) pigtail

**NUMBER OF FLUID LINES:** 2

### ELECTRICAL SPECIFICATIONS

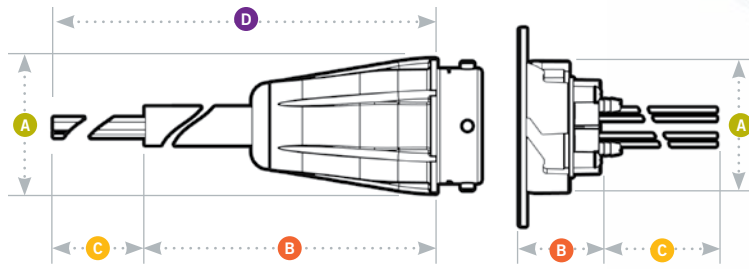
**Voltage:** Up to 24VDC

**Current:** Up to 3 Amps

**Wire gauge:** 20AWG

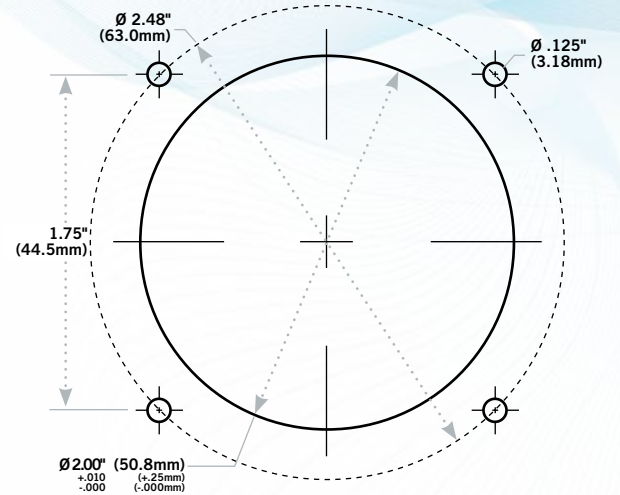
**Number of contacts:** 4

# HYBRID SERIES DIMENSIONS



A = Height/Diameter    B = Total Length    C = Pigtail    D = Umbilical

## Panel Dimensions



## Coupling Hose • POLYPROPYLENE



**CONFIGURATION**  
HOSE

**FLOW PATHS**  
1/8" ID (3.2mm)

**PART NO.**  
HQC17002

**A**  
2.00

**B**  
2.80

**C**  
3.00

**D**  
8.00

## Coupling Panel • POLYPROPYLENE



**CONFIGURATION**  
PANEL MOUNT

**FLOW PATHS**  
1/8" ID (3.2mm)

**PART NO.**  
HQC42001

**A**  
1.96

**B**  
1.12

**C**  
12.00

**D**

