

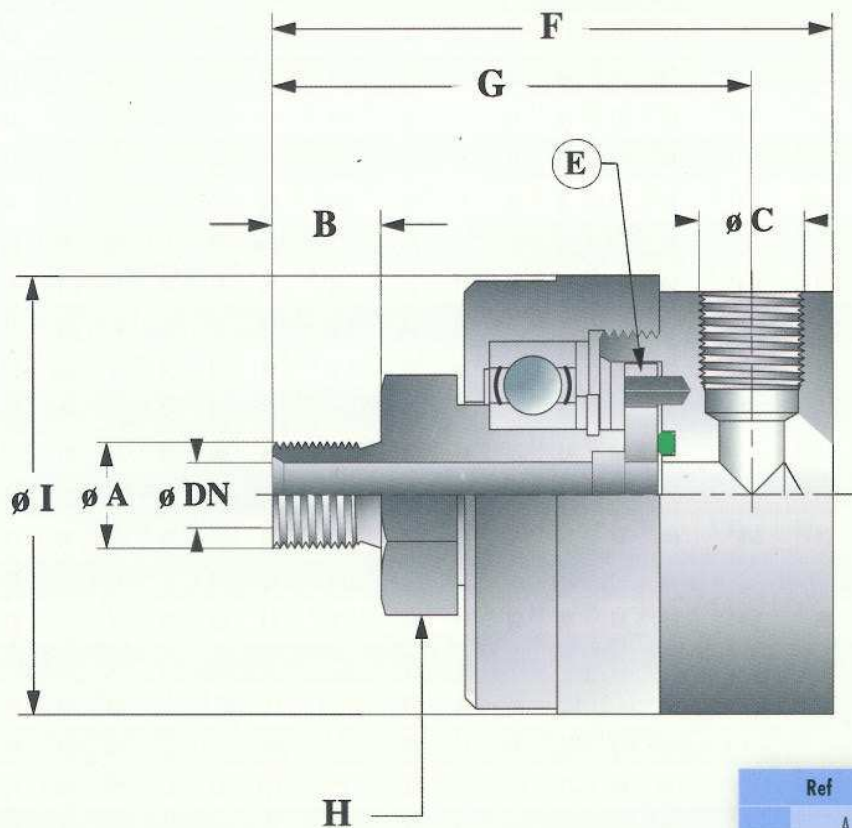


REFERENCE
3S

ROTARY UNIONS FOR LOW PRESSURE 3 S

TECHNICAL FEATURES

| | |
|---------------------|--|
| REFERENCES | 3S K |
| DIMENSIONS | Male 1/8", Male 1/4" or 10 x 1 • Female 1/8" |
| MATERIAL | 3S...K : nickel plated steel |
| THREAD | Male right-hand (BSPP and metric) • Female connection BSPP |
| PRESSURE | Air : 8 to 10 bar - Water : 4 to 6 bar |
| TEMPERATURE | 120° C maximum |
| ROTATION | 0 to 3500 r.p.m. |
| APPLICATION | Air clutch control, lubricated or dry air |
| OBSERVATIONS | Ball bearing for easy rotation |
| CONNECTION | With hoses |
| USE | Oil, air, water, soluble oil (K) |



| Ref | 3S 2086 K | 3S 3747 K | 3S 3862 K |
|------|-----------|-----------|-----------|
| A | 1/4" BSPP | 1/8" BSPP | M 10 x 1 |
| B | 12 | 10 | 10 |
| C | 1/8" BSPP | 1/8" BSPP | 1/8" BSPP |
| ø DN | 6 | 4 | 3,2 |
| E | GR 2086 | GR 2086 | GR 2086 |
| F | 51,5 | 51,5 | 51,5 |
| G | 44 | 44 | 44 |
| H | 19/Flat | 19/Flat | 19/Flat |
| ø I | 40 | 40 | 40 |