

9000 SERIES

GENERAL PURPOSE



**MODELS
ADDED**

Operating Parameters

MEDIA

Steam, Hot Oil, Water

PRESSURE*

250 psi (Water), 175 psi (Steam),
100 psi (Hot Oil)

TEMPERATURE*

600° F (Hot Oil), 378° F (Steam)

SPEED*

700 RPM

THREADS

- 1/4" to 3" NPT
- BSP Threads Available
- Flanged

MATERIAL

- Cast Iron Housing with Stainless Steel or Plated Sleeve
- Steel Shaft

CONFIGURATION OPTIONS

Mono Flow & Dual Flow Configurations Available

* See Performance Charts For Details

Features & Benefits

Advanced Sealing System

The Bellows Sealing System provides superior sealing performance throughout the wear life of the Rotary Union.

Superior Alignment

Dual bearings available in all sizes over 1 1/4" to provide superior alignment.

Resists Debris Build-Up

Compared to seals utilizing springs, the 9000 series bellows sealing system is more resistant to debris in contaminated media, which reduces clogging.

Easy Mounting

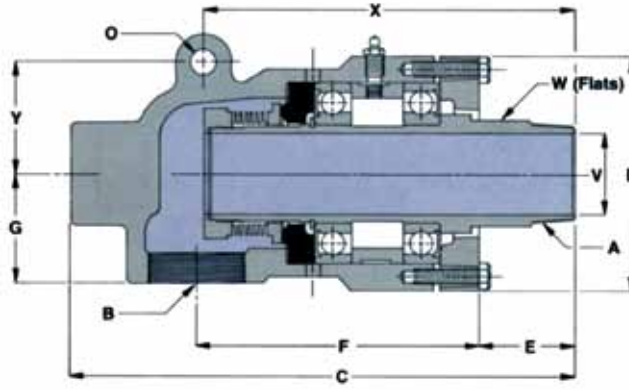
The flange attaches directly to the machine journal, providing inherently concentric mounting, minimizing overhang, and partially relieving bearing load to increase service life.

9000 SERIES ROTARY UNIONS • MONO FLOW							
Nominal Pipe Size	Shaft Thread (A)	Right Hand Thread			Left Hand Thread		
		Part Number	Description	Repair Cartridge	Part Number	Description	Repair Cartridge
1/4	1/4 NPT	730432C	R030P	441647C	730431C	L030P	441646C
	9/16-18 MT	730434C	R024P	441649C	730433C	L024P	441648C
	5/8-18 MT	730436C	R024P	441651C	730435C	L024P	441650C
3/8	3/8 NPT	730444C	R100P	441659C	730443C	L100P	441658C
	5/8-18 MT	730446C	R124P	441661C	730445C	L124P	441660C
1/2	1/2 NPT	730396C	R200P	441630C	730395C	L200P	441629C
	3/4-16 MT	730402C	R224P	441634C	730401C	L224P	441633C
	7/8-14 MT	730410C	R224P	441636C	730409C	L224P	441635C
	3/4-14 MT	730639C	R224P	441632C	730638C	L224P	441631C
	7/8-16 MT	730641C	R224P	441709C	730640C	L224P	441708C
3/4	3/4 NPT	730332C	R300P	441597C	730331C	L300P	441596C
	1-14 MT	730338C	R324P	441599C	730337C	L324P	441598C
1	1 NPT	730303C	R400P	441579C	730302C	L400P	441578C
	1-1/4-12 MT	730309C	R424P	441581C	730308C	L424P	441580C
1-1/4	1-1/4 NPT	440320C	R9500P	471460C	440319C	L9500P	471459C
	1-5/8-8 MT	440326C	R9524P-3	471462C	440325C	L9524P-3	471461C
	1-5/8-12 MT	440324C	R9524P-2	471464C	440323C	L9524P-2	471463C
1-1/2	1-1/2 NPT	440144C	R9600P	471364C	440143C	L9600P	471363C
	2-8 MT	440148C	R9624P-3	471368C	440147C	L9624P-3	471367C
	2-12 MT	440152C	R9624P-2	471374C	440151C	L9624P-2	471373C
2	2 NPT	440465C	R9700P	471554C	440464C	L9700P	471553C
2-1/2	2-1/2 NPT	440535C	R9800P	471556C	440534C	L9800P	471555C
3	3 NPT	440493C	R9900P	471558C	440492C	L9900P	471557C
	3-1/2-8 MT	440499C	R9924P-3	471644C	440498C	L9924P-3	471643C

9000 SERIES ROTARY UNIONS • DUAL FLOW							
Nominal Pipe Size	Shaft Thread (A)	Right Hand Thread			Left Hand Thread		
		Part Number	Description	Repair Cartridge	Part Number	Description	Repair Cartridge
1/2	1/2 NPT	730398C	R200S	441630C	730397C	L200S	441629C
	3/4-16 MT	730404C	R224S	441634C	730403C	L224S	441633C
	7/8-14 MT	730412C	R224S	441636C	730411C	L224S	441635C
3/4	3/4 NPT	730334C	R300S	441597C	730333C	L300S	441596C
	1-14 MT	730340C	R324S	441599C	730339C	L324S	441598C
1	1 NPT	730305C	R400S	441579C	730304C	L400S	441578C
	1-1/4-12 MT	730311C	R424S	441581C	730310C	L424S	441580C
1-1/4	1-1/4 NPT	440322C	R9500S	471460C	440321C	L9500S	471459C
	1-5/8-8 MT	440330C	R9524S-3	471462C	440329C	L9524S-3	471461C
	1-5/8-12 MT	440328C	R9524S-2	471464C	440327C	L9524S-2	471463C
1-1/2	1-1/2 NPT	440146C	R9600S	471364C	440145C	L9600S	471363C
	2-8 MT	440150C	R9624S-3	471368C	440149C	L9624S-3	471367C
	2-12 MT	440154C	R9624S-2	471374C	440153C	L9624S-2	471373C
2	2 NPT	440467C	R9700S	471554C	440466C	L9700S	471553C
2-1/2	2-1/2 NPT	440575C	R9800S	471556C	440574C	L9800S	471555C
3	3 NPT	440495C	R9900S	471558C	440494C	L9900S	471557C

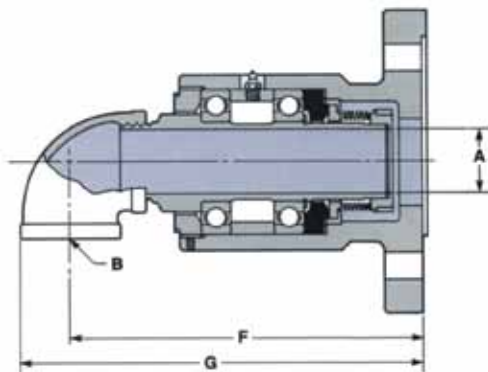
9000 SERIES ROTARY UNIONS • DUAL FLOW ROTATING SIPHON							
Nominal Pipe Size	Shaft Thread (A)	Right Hand Thread			Left Hand Thread		
		Part Number	Description	Repair Cartridge	Part Number	Description	Repair Cartridge
1/2	1/2 NPT	730400C	R225-4	441630C	730399C	L225-4	441629C
	3/4-14	730406C	XR225-4	441632C	730405C	XL225-4	441631C
	3/4-16	730408C	XR225-4	441634C	730407C	XL225-4	441633C
	7/8-14	730414C	XR225-4	441636C	730413C	XL225-4	441635C
	7/8-16	730644C	XR225-4	441709C	730643C	XL225-4	441708C
3/4	3/4-14	730336C	R325-2	441597C	730335C	L325-2	441596C
	1-14	730342C	XR325-2	441599C	730341C	XL325-2	441598C
1	1 NPT	730307C	R425-10	441579C	730306C	L425-10	441578C
	1-1/2-12	730315C	XR425-10	441583C	730314C	XL425-10	441582C
	1-1/4-12	730313C	XR425-10	441581C	730312C	XL425-10	441580C
1-1/4	1-1/4 NPT	440334C	R9525-20	471460C	440333C	L9525-20	471459C
	1-5/8-12 MT	440336C	XR9525-20	471464C	440335C	XL9525-20	471463C
1-1/2	1-1/2 NPT	440251C	R9625-30	471364C	440250C	L9625-30	471363C
	2-12 MT	440438C	XR9625-30	471374C	440437C	XL9625-30	471373C
	2-8 MT	440449C	XR9625-30	471368C	440448C	XL9625-30	471367C
2	2 NPT	440475C	R9725-30	471554C	440474C	L9725-30	471553C
2-1/2	2-1/2 NPT	440585C	R9825-40	471556C	440584C	L9825-40	471555C
3	3 NPT	440587C	R9925-50	471558C	440586C	L9925-50	471557C

9000 SERIES



9000 SERIES ROTARY UNIONS • MONO FLOW (in.)												
Nominal Pipe Size	Thread (A)	Inlet B (NPT)	C	D	E	F	G	V	W	O	Y	X
1/4	1/4 NPT	1/4	4-3/8	1-3/4	1-1/8	2-9/16	1-1/16	1/4	5/8	-	-	-
	9/16-18 MT											
	5/8-18 MT											
3/8	3/8 NPT	3/8	4-3/8	1-3/4	1-1/8	2-9/16	1-1/16	3/8	11/16	-	-	-
	5/8-18 MT											
1/2	1/2 NPT	1/2	5	2-3/8	1-1/2	2-3/4	1-1/4	1/2	15/16	-	-	-
	3/4-16 MT											
	7/8-14 MT											
	3/4-14 MT											
3/4	3/4 NPT	3/4	5-1/2	2-1/2	1-5/8	3	1-7/16	3/4	1-3/4	-	-	-
	1-14 MT											
1	1 NPT	1	6-1/8	3	1-3/4	3-3/8	1-3/4	1	1-11/32	-	-	-
	1-1/4-12 MT											
1-1/4	1-1/4 NPT	1-1/4	9-1/16	3-3/4	2-1/16	4-13/16	2-3/16	1-1/4	1-11/16	5/8	2	6-7/8
	1-5/8-8 MT		8-15/16		1-15/16							6-3/4
	1-5/8-12 MT											
1-1/2	1-1/2 NPT	1-1/2	9-11/16	4/18	2-3/16	5-1/4	2-3/16	1-1/2	1-15/16	5/8	2-1/4	7-3/4
	2-8 MT		10-1/4		2-3/4							7-15/16
	2-12 MT											
2	2 NPT	2	11-3/4	5-7/8	2-7/16	6-7/8	2-5/8	2	2-9/16	5/8	2-3/4	8-9/16
2-1/2	2-1/2 NPT	2-1/2	13-7/8	6-1/2	3-1/2	7-3/16	3-3/8	2-1/2	3	-	-	-
3	3 NPT	3	15-3/8	7-1/8	3-1/2	8-5/16	3-7/8	3	3-5/8	-	-	-
	3-1/2-8 MT		15-3/4		3-7/8							-

DIMENSIONS

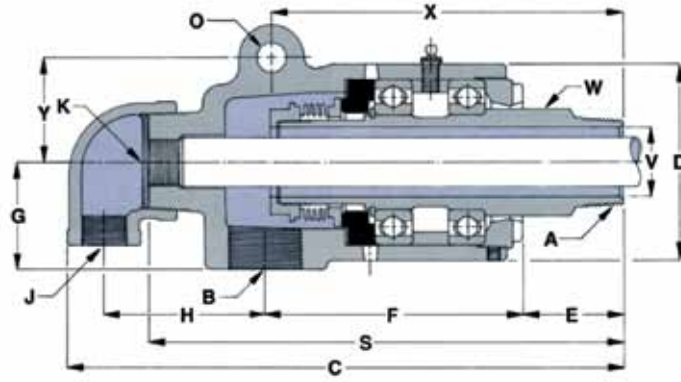


MONO FLOW (in.) • FLANGED				
Nominal Pipe Size	Shaft ID (A)	Part Number	Description	Repair Cartridge
1-1/4	1-1/4	Consult Factory	570P-1-U	Consult Factory
1-1/2	1-1/2	Consult Factory	670P-1-U	
2	2	Consult Factory	770P-1-U	
2-1/2	2-3/8	Consult Factory	870P-1-U	
3	2-7/8	Consult Factory	970P-1-U	
4	4	Consult Factory	1070-P-U	
5	5	Consult Factory	1170-P-U	



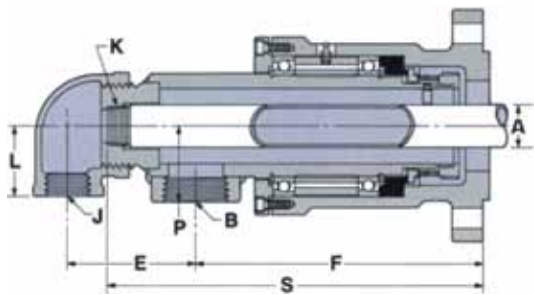
Models Added

MONO FLOW (in.) • FLANGED			
Nominal Pipe Size	Inlet (B)	F	G
1-1/4	1-1/4" NPT	8-7/16	9-1/2
1-1/2	1-1/2" NPT	8-13/16	10-1/8
2	2" NPT	10-5/8	12-1/16
2-1/2	2-1/2" NPT	12	13-13/16
3	3" NPT	14-1/16	16-1/4
4	4" Flange	438 mm	Consult Factory
5	5" Flange	545 mm	



9000 SERIES ROTARY UNIONS • DUAL FLOW • STATIONARY SIPHON (in.)

DIMENSIONS	Nominal Pipe Size	Shaft Thread (A)	Inlet (B)	Outlet (J)	Siphon K (NPSM)	C	D	E	F	G	H	S	V	W	O	Y	X
	1/2	1/2 NPT 3/4-16 MT 7/8-14 MT	1/2	1/2	1/8	7-1/4	2-3/8	1-1/2	2-3/4	1-1/4	2-1/8	6	1/2	15/16	-	-	-
3/4	3/4 NPT 1-14 MT	3/4	1/2	1/4	7-3/4	2-1/2	1-5/8	3	1-7/16	2-3/8	6-3/8	3/4	1-1/8	-	-	-	
1	1 NPT 1-1/4-12 MT	1	1/2	3/8	8-1/2	3	1-3/4	3-3/8	1-3/4	2-5/8	7-1/8	1	1-3/8	-	-	-	
1-1/4	1-1/4 NPT 1-5/8-8 MT 1-5/8-12 MT	1-1/4	1/2	1/2"	10-5/8 10-7/8	3-3/4	2-1/8 2	4-13/16	2	-	8-7/8 8-3/4	1-1/4	1-11/16	5/8	2	6-3/4	
1-1/2	1-1/2 NPT 2-8 MT 2-12 MT	1-1/2	3/4	3/4"	11-3/8 11-15/16	4-1/8	2-3/16 2-3/4	5-1/4	2-3/16	-	9-9/16 10-1/8	1-1/2	1-15/16	5/8	2-1/4	7-3/8 7-15/16	
2	2 NPT	2	1	3/4"	13-7/8	5-7/8	2-7/16	6-1/2	2-5/8	-	11-1/2	2	2-9/16	5/8	2-3/4	8-9/16	
2-1/2	2-1/2 NPT	2	1	1"	16-7/8	6-1/2	3-1/2	7-1/4	3-3/8	-	14	2-1/2	3	-	-	-	
3	3 NPT	2-1/2	1-1/4	1-1/4"	18-3/4	7-1/8	3-1/2	8-5/16	3-7/8	-	15-5/8	3	3-5/8	-	-	-	



Dual FLOW (in.) • FLANGED • STATIONARY SIPHON PIPE

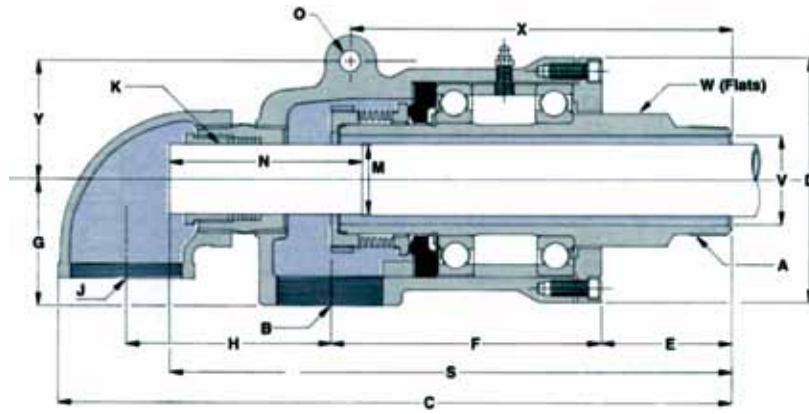
DIMENSIONS	Nominal Pipe Size	Shaft ID (A)	Part Number	Description	Repair Cartridge
	1-1/4	1-1/4	Consult Factory	570S-1-U	Consult Factory
1-1/2	1-1/2	Consult Factory	670S-1-U		
2	2	Consult Factory	770S-1-U		
2-1/2	2-3/8	Consult Factory	870S-1-U		
3	2-7/8	Consult Factory	970S-1-U		
4	4	Consult Factory	1070-S-U		
5	5	Consult Factory	1170-S-U		

Models Added

Dual FLOW (in.) • FLANGED • STATIONARY SIPHON PIPE

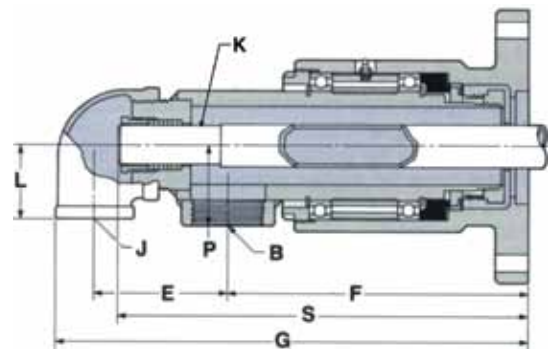
DIMENSIONS	Nominal Pipe Size	Inlet B (NPT)	Outlet J (NPT)	Siphon Tap K (NPSM)	E	F	S	L	P
	1-1/4	1	1/2	1/2	2-3/4	7-1/16	8-7/8	1-5/8	1-5/8
1-1/2	1-1/4	3/4	3/4	3-3/8	7-11/16	9-15/16	1-13/16	1-13/16	
2	1-1/2	1	3/4	3-13/16	9-1/16	11-1/2	2-1/16	2-1/16	
2-1/2	2	1-1/4	1	4-3/4	10-5/16	13-9/16	2-5/8	2-5/8	
3	2-1/2	1-1/4	1-1/4	5-1/4	11-7/8	15-1/2	2-7/8	3-1/16	
4	Consult Factory				--	--	--	--	
5	Consult Factory				--	--	--	--	

9000 SERIES



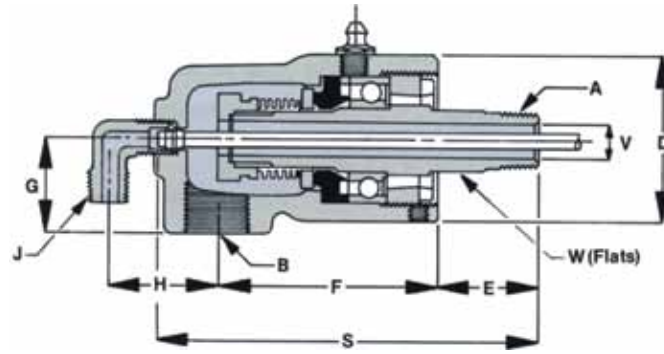
9000 SERIES ROTARY UNIONS • DUAL FLOW ROTATING SIPHON (in.)																		
Nominal Pipe Size	Shaft Thread (A)	Inlet (B)	Outlet (J)	Siphon (K)	C	D	E	F	G	H	M	N	O	S	V	W	X	Y
1/2"	1/2 NPT	1/2	1/2	1/4 Tube	7-1/4	2-3/8	1-1/2	2-3/4	1-1/4	2-1/8	0.249 to 0.252	1-5/8	-	6-1/4	1/2	15/16	-	-
	3/4-14 MT																	
	7/8-14 MT																	
	7/8-16 MT																	
3/4"	3/4 NPT	3/4	1/2	1/4 Pipe	7-3/4	2-1/2	1-5/8	3	1-7/16	2-3/4	0.522 to 0.528	1-3/4	-	6-13/16	3/4	1-1/8	-	-
	1-14 MT																	
1"	1 NPT	1	1/2	3/8 Pipe	8-1/2	3	1-3/4	3-3/8	1-3/4	2-5/8	0.657 to 0.663	2	-	7-11/16	1	1-3/8	-	-
	1-1/4-12 MT																	
1-1/4	1-1/4 NPT	1-1/4	1/2	1/2 Pipe	10-5/8	3-3/4	2-1/8	4-13/16	2	3	0.803 to .808	3	5/8	9-7/16	1-1/4	1-11/16	6-7/8	2
	1-5/8-12 MT				10-1/2		2							9-5/16			6-3/4	
1-1/2	1-1/2 NPT	1-1/2	3/4	3/4 Pipe	11-3/8	4-1/8	2-3/16	5-1/4	2-3/16	3-1/4	0.991 to 0.997	3-1/4	5/8	10-1/8	1-1/2	1-15/16	7-3/8	2-1/4
	2-12 MT				11-15/16		2-3/4							10-3/4			7-15/16	
	2-8 MT																	
2	2 NPT	2	1	3/4 Pipe	13-7/8	5-7/8	2-7/16	6-1/2	2-5/8	4-1/16	0.991 to 0.997	3-1/4	5/8	12-1/8	2	2-9/16	8-9/16	2-3/4
2-1/2	2-1/2 NPT	2	1-1/4	1 Pipe	16-7/8	6-1/2	3-1/2	7-1/4	3-3/8	5	1.241 to 1.247	3-3/4	-	14-11/16	2-1/2	3	-	-
3	3 NPT	2-1/2	1-1/4	1-1/4 Pipe	18-3/4	7-1/8	3-1/2	8-5/16	3-7/8	5-1/2	1.615 to 1.621	4-1/4	-	16-3/8	3	3-5/8	-	-

Dual FLOW (in.) • FLANGED • ROTATING SIPHON PIPE				
Nominal Pipe Size	Shaft ID	Part Number	Description	Repair Cartridge
1-1/4	1-1/4	Consult Factory	587-20-U	Consult Factory
1-1/2	1-1/2	Consult Factory	687-30-U	
2	2	Consult Factory	787-30-U	
2-1/2	2-3/8	Consult Factory	887-40-U	
3	2-7/8	Consult Factory	987-50-U	
4	4	Consult Factory	--	
5	5	Consult Factory	--	



Models Added

Dual FLOW (in.) • FLANGED • ROTATING SIPHON PIPE									
Nominal Pipe Size	Inlet B (NPT)	Outlet J (NPT)	Siphon Dia.	E	F	G	L	P	S
1-1/4	1	1/2	Siphon not provided. Contact Factory for information.	2-3/4	7-1/16	10-5/16	1-5/8	1-5/8	9-1/2
1-1/2	1-1/4	3/4		3-3/8	7-11/16	11-13/16	1-13/16	1-7/8	10-3/4
2	1-1/2	1		3-13/16	9-1/16	14	2-1/16	2-5/16	12-1/4
2-1/2	2	1-1/4		4-3/4	10-5/16	16-5/16	2-5/8	2-5/8	14-1/4
3	2-1/2	1-1/4		5-1/4	11-7/8	18-3/4	2-7/8	3-1/16	16-1/4
4	Consult Factory			--	--	--	--	--	--
5	Consult Factory			--	--	--	--	--	--



Dual FLOW (in.) • COMPRESSION FITTING SIPHON									
DIMENSIONS	Nominal Pipe Size	Shaft Thread (A)	Thread Rotation	Right Hand			Left Hand		
				Part Number	Description	Repair Cartridge	Part Number	Description	Repair Cartridge
1/4	1/4 NPT	RH	730779C	R019-2	441647	730778	L019-2	441646	
			730781C	R019-3	441647	730780	L019-3	441646	
3/8	3/8 NPT	RH	730787C	R119-2	441659	730786	L119-2	441658	
			730783C	R119-3	441659	730782	L119-3	441658	
1/2	1/2 NPT	RH	730800C	R219-6	441630	730799	L219-6	441629	
3/4	3/4 NPT	RH	730804C	R319-8	441597	730803	L319-8	441596	
1	1 NPT	RH	730429C	R419-10	441579	730428	L419-10	441578	

 Models Added

Dual FLOW (in.) • COMPRESSION FITTING SIPHON													
DIMENSIONS	Nominal Pipe Size	Thread A (NPT)	Inlet B (NPT)	Outlet J	Siphon Tube Size	D	E	F	G	V	W	S	H
	1/4	1/4	1/4	1/8 MALE	1/8	1-3/4	1-1/8	2-9/16	1-1/16	1/4	5/8	4-7/16	1-1/4
3/16					1-3/4	1-1/8	2-9/16	1-1/16	3/8	11/16	4-7/16	1-1/4	
3/8	3/8	3/8	1/8 MALE	1/8	1-3/4	1-1/8	2-9/16	1-1/16	3/8	11/16	4-7/16	1-1/4	
				3/16	1-3/4	1-1/8	2-9/16	1-1/16	1/2	15/16	6-3/8	2-1/8	
1/2	1/2	1/2	1/2 NPT	3/8	2-3/8	1-1/2	2-3/4	1-1/4	1/2	15/16	6-3/8	2-1/8	
3/4	3/4	1/2	1/2 NPT	1/2	2-1/2	1-5/8	3	1-7/16	3/4	1-1/8	6-7/8	2-5/16	
1	1	1	3/4 NPT	5/8	3	1-3/4	3-3/8	1-3/4	1	1-3/8	7-3/4	2-9/16	

9000 Series repair parts



Shaft



Ball Bearing



Bearing Retainer



Seal Ring



Bellows Assembly



Bellows Gasket

9000 SERIES ROTARY UNIONS • REPAIR PARTS

Nominal Pipe Size	Thread Rotation	Shaft		Ball Bearing	Bearing Retainer	Seal Ring	Bellows Gasket	Bellows Assembly	Housing Gasket
		Shaft Thread (A)	Part Number						
1/4	LH	1/4 NPT	463474C	482020C	847022C	463472C	482033C	481010C	482026C
	RH		463475C						
	LH	9/16-18 MT	463476C						
	RH		463477C						
	LH	5/8-18 MT	463478C						
	RH		463479C						
3/8	LH	3/8 NPT	463484C	482020C	847022C	463472C	482033C	481010C	482026C
	RH		463485C						
	LH	5/8-18 MT	463486C						
	RH		463487C						
1/2	LH	1/2 NPT	463428C	482076C	854744C	463426C	482090C	481018C	482083C
	RH		463429C						
	LH	3/4-16 MT	463436C						
	RH		463437C						
	LH	7/8-14 MT	463430C						
	RH		463431C						
	LH	3/4-14 MT	463434C						
	RH		463435C						
3/4	LH	3/4 NPT	463291C	482134C	844654C	463287C	482148C	481035C	482141C
	RH		463292C						
	LH	1-14 MT	463293C						
	RH		463294C						
	LH	1 NPT	463265C	482188C	844341C	463264C	482201C	481048C	482195C
	RH		463266C						
	LH	1-1/4-12 MT	463277C						
	RH		463278C						
1-1/4	LH	1-1/4 NPT	485070C	482241C	854753C	482246C	482255C	481062C	482248C
	RH		485071C						
	LH	1-5/8-8 MT	485086C						
	RH		485087C						
	LH	1-5/8-12 MT	485084C						
	RH		485085C						
1-1/2	LH	1-1/2 NPT	483951C	482303C	863095C	482308C	482316C	481073C	482310C
	RH		483952C						
	LH	2-8 MT	483953C						
	RH		483954C						
	LH	2-12 MT	483955C						
	RH		483956C						
2	LH	2 NPT	485181C	482362C	854757C	482786C	482788C	481247C	482787C
	RH		485182C						
2-1/2	LH	2-1/2 NPT	485256C	482809C	854762C	482811C	482813C	481268C	482812C
	RH		485257C						
3	LH	3 NPT	485155C	482839C	854766C	482841C	482843C	481289C	482842C
	RH		485156C						
	LH	3-1/2-8 MT	485199C						
	RH		485200C						
	LH	3-1/2-12 MT	485189C						
	RH		485198C						

Performance Charts

