

# BVS 2 SERIES

## Stainless steel two way high pressure ball valves

### INTRODUCTION

Holmbury's BVS 2 Series two way stainless steel, high pressure ball valves are designed to suit a wide range of applications. These valves should not be used as flow control valves and should therefore always be fully open or closed.

### CONSTRUCTION

- AISI 316 stainless steel
- Fitted with Viton seals
- Also available in carbon steel (See BVC 2 Series)

### FEATURES

- Floating ball design maximises sealing
- Full bore valves provide unrestricted flow path for negligible pressure drop
- Open to close in 1/4 turn
- Cranked handle allows clearance for easy operation

### ACCESSORIES

- Valve Locking Kits and Valve Handles are available for the BVS 2 Series



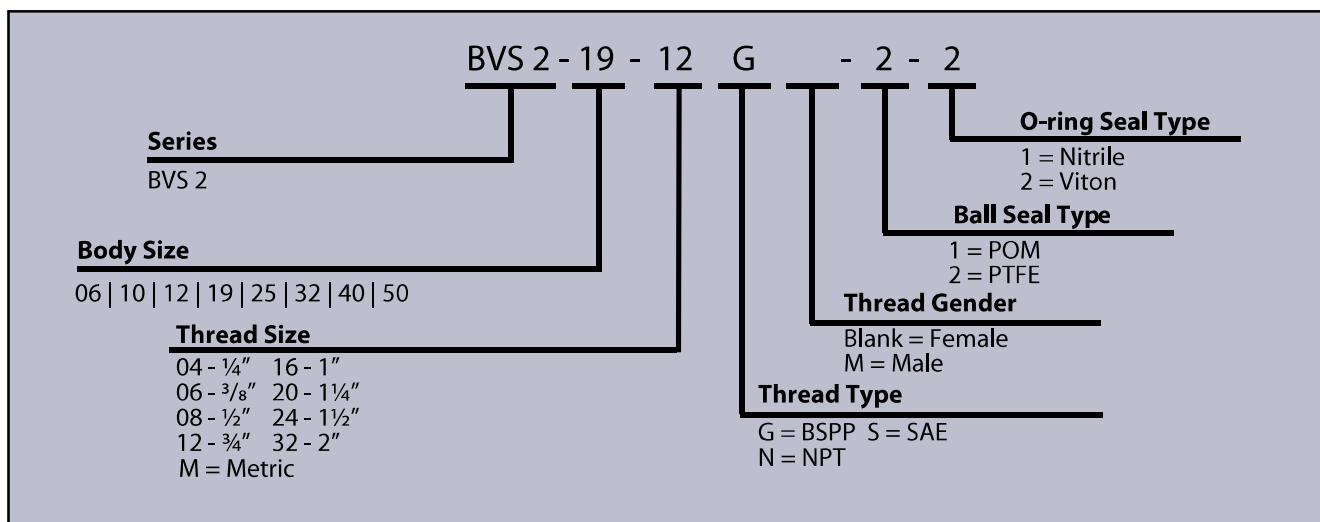
### SPECIFICATIONS

- Operating temperatures (With Viton seals): -20°C (-4°F) to 200°C (392°F)

### APPLICATIONS

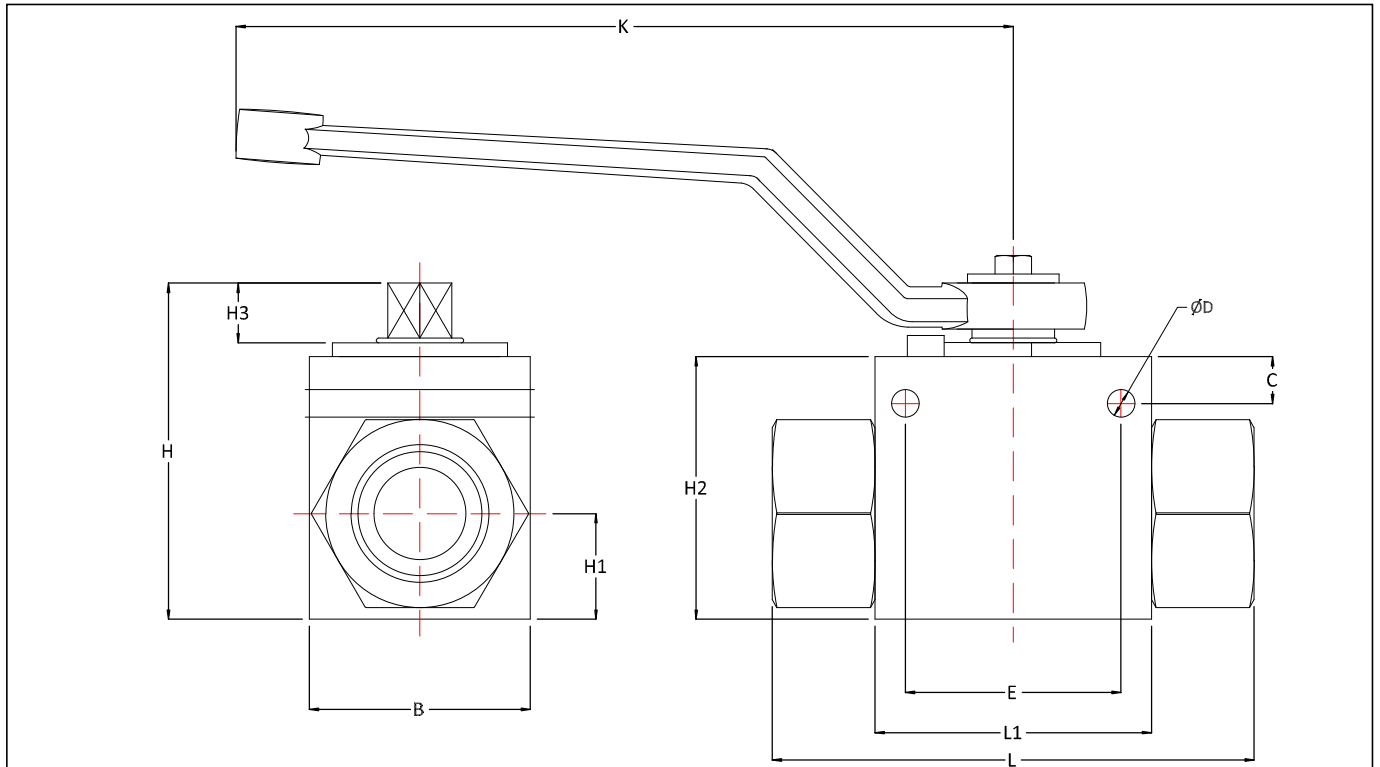
- Designed for usage in marine, oil & gas, nuclear, pharmaceutical, power generation and offshore industries

### ORDER CODES



Holmbury Ltd: sales@holmbury.com | +44 (0) 1732 378912

## DRAWING



## DIMENSIONS

Size	Thread Size (A)	B	C	ØD	E	G	H	H1	H2	H3	L	L1	Maximum Working Pressure	Burst Pressure
Dimensions in mm													Bar	
Dimensions in Inches													Psi	
BVS2 06	1/4"	28.2	5	4.5	26.2	107	44.3	12.7	32.3	8.5	69	36.8	500	2000
		1.1	0.2	0.2	1.0	4.2	1.7	0.5	1.3	0.3	2.7	1.4	7250	29000
BVS2 10	3/8"	32.2	5	6.7	32.5	107	52	17	40.2	8.5	72	42.2	500	2000
		1.3	0.2	0.3	1.3	4.2	2.0	0.7	1.6	0.3	2.8	1.7	7250	29000
BVS2 12	1/2"	35.2	5.2	6.4	37.7	107	52	18	40.2	8.5	83.3	48	500	2000
		1.4	0.2	0.3	1.5	4.2	2.0	0.7	1.6	0.3	3.3	1.9	7250	29000
BVS2 19	3/4"	48.2	6.8	7	45	170	74.7	25	57.1	14	95	60	315	1260
		1.9	0.3	0.3	1.8	6.7	2.9	1.0	2.2	0.6	3.7	2.4	4568	18270
BVS2 25	1"	57.1	6	6.8	54.5	170	81.8	29	64.8	14	112.8	65	315	1260
		2.2	0.2	0.3	2.1	6.7	3.2	1.1	2.6	0.6	4.4	2.6	4568	18270
BVS2 32	1 1/4"	75.2	9.2	10.7	67.5	234	103.6	37.7	84	16	110	84	315	1260
		3.0	0.4	0.4	2.7	9.2	4.1	1.5	3.3	0.6	4.3	3.3	4568	18270
BVS2 40	1 1/2"	85.2	9.2	10.7	72.3	234	115.2	42.5	95.3	16	129.7	91	315	1260
		3.4	0.4	0.4	2.8	9.2	4.5	1.7	3.8	0.6	5.1	3.6	4568	18270
BVS2 50	2"	105	9.2	10.7	80	234	132.7	52.5	112.5	16	140.3	100	315	1260
		4.1	0.4	0.4	3.1	9.2	5.2	2.1	4.4	0.6	5.5	3.9	4568	18270

PSI= Bar x14.5 Inches= mm/25.4

