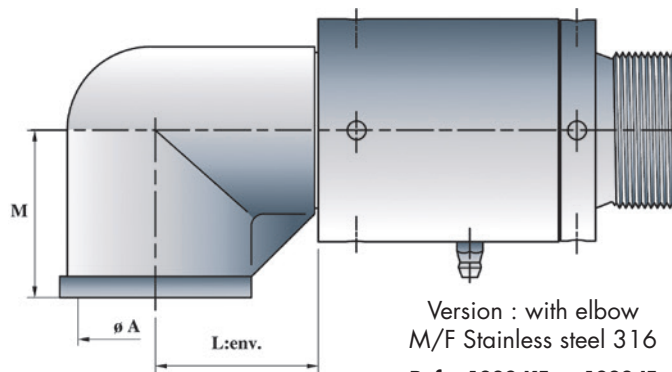
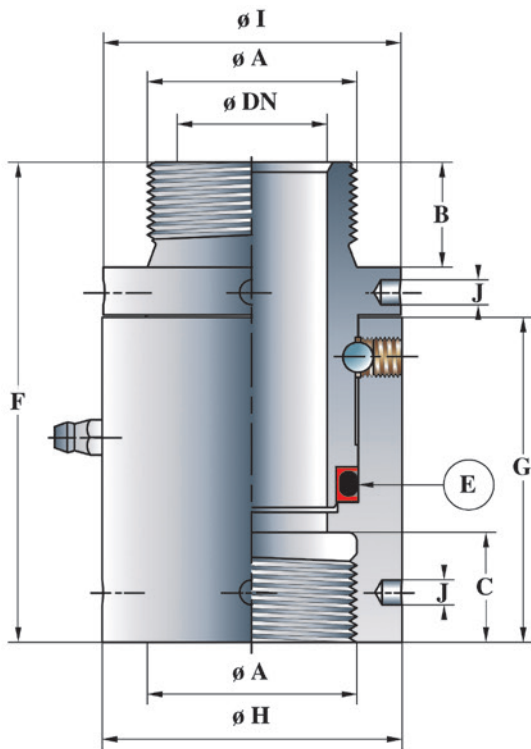


TECHNICAL FEATURES

REFERENCE	1000 K : nickel plated steel 1000 I : stainless steel
DIMENSIONS	1/4" to 3" BSP
MATERIAL	1000 K : nickel plated steel 1000 I : stainless steel 316 L
THREAD	Male and female connection Right-hand - BSPP thread
PRESSURE	0 to 50 bar except 316 L (see table)
TEMPERATURE	200° C maxi
ROTATION	Swiveling motion
APPLICATION	Attached fittings on hoses for decanting hose reels.
OBSERVATIONS	Attached fittings on hoses for decanting hose reels.
CONNECTION	With flexible hoses
USE	Oil, air, gas, vacuum, water (1000 K), chemicals (1000 I), lubrication (from the 1027)


 Version : with elbow
 M/F Stainless steel 316
Ref. : 1000 KE or 1000 IE

Ref.	1013 K - I	1017 K - I	1021 K - I	1027 K - I	1034 K - I	1042 K - I	1049 K - I	1060 K - I	1076 K - I	1090 K - I	
Dimensions	A	1/4"	3/8"	1/2"	3/4"	1"	1 1/4"	1 1/2"	2"	2 1/2"	3"
	B	10	11	14	16	19	21	21	25	28	30
	C	11	12	15	17	20	22	22	26	23	26
	DN	Ø 7	Ø 10	Ø 11	Ø 18	Ø 25	Ø 30	Ø 38	Ø 48	Ø 60	Ø 75
	E	GR10 V	GR817SR V	GR817SR V	GR827SR V	GR834SR V	GR842SR V	GR849SR V	GR860SR V	GR65 V	GR80 V
	F	47.5	52.5	58.5	75.5	87	96	98	114	113,5	121,5
	G	31	35	38	51	60	65	67	78	75	81
	H	Ø 25	Ø 32	Ø 32	Ø 45	Ø 52	Ø 60	Ø 65	Ø 80	Ø 95	Ø 106
	I	19/Flat	26/Flat	26/Flat	38/Flat	Ø 52	Ø 60	Ø 65	Ø 80	Ø 95	Ø 106
	J	Ø 5	Ø 5	Ø 5	Ø 6	Ø 6	Ø 6	Ø 6	Ø 7	Ø 7	Ø 7
	L	20	28	30	32	39	44	51	60	75	87
	M	20	24	28	32	38	45	50	58	70	78
Max. Pressure K/I	50/20	50/20	50/20	50/20	30/15	30/15	30/15	20/10	20/10	20/10	