

F SERIES

Connect under pressure high flow couplings with a safety locking sleeve

INTRODUCTION

Holmbury's F Series high flow safety couplings offer three important benefits; high flow, connection under pressure and a safety locking mechanism to prevent accidental disconnection.

CONSTRUCTION

- Carbon steel with trivalent plating and QPQ finished locking ring
- Fitted with Nitrile seals

FEATURES

- High flow rates
- Pressure eliminator allows connection with residual pressure in the hydraulic circuit
- Low pressure drop characteristics
- Safety locking ring to avoid accidental disconnection
- Female half has double 'O' ring sealing arrangement
- Bidirectional flow

ACCESSORIES

- Dust Caps and Plugs are available for the F Series



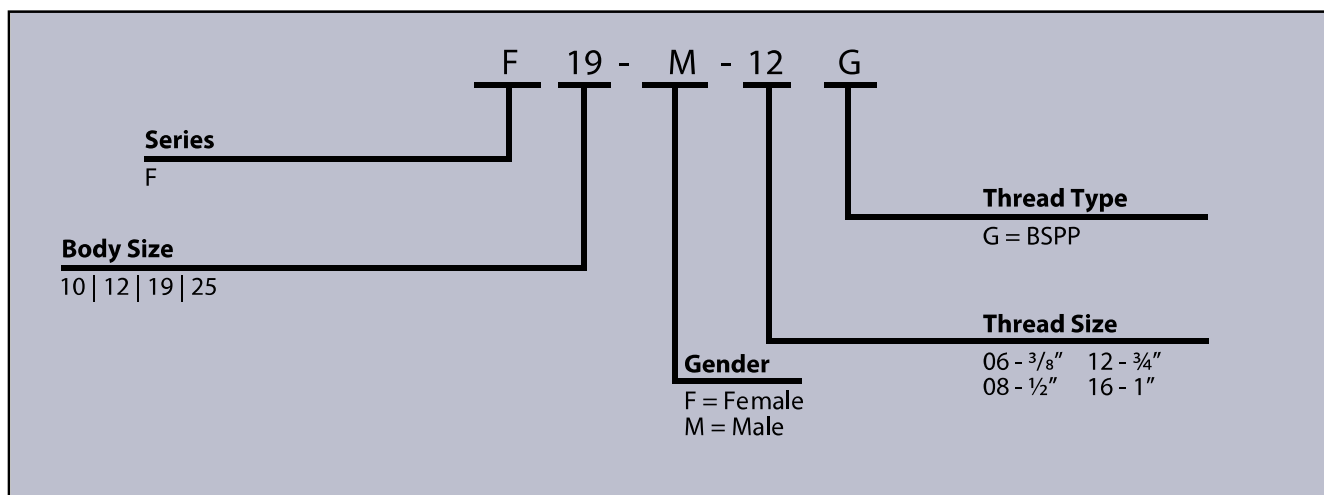
SPECIFICATIONS

- Operating temperatures (with Nitrile seals): -40°C (-40°F) to 106°C (223°F)

APPLICATIONS

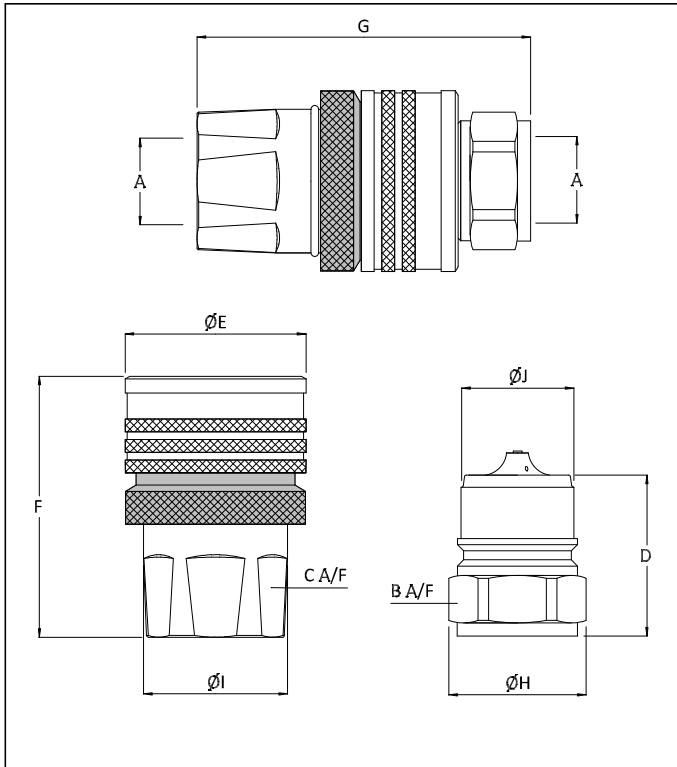
- Mobile plant
- General industrial

ORDER CODES

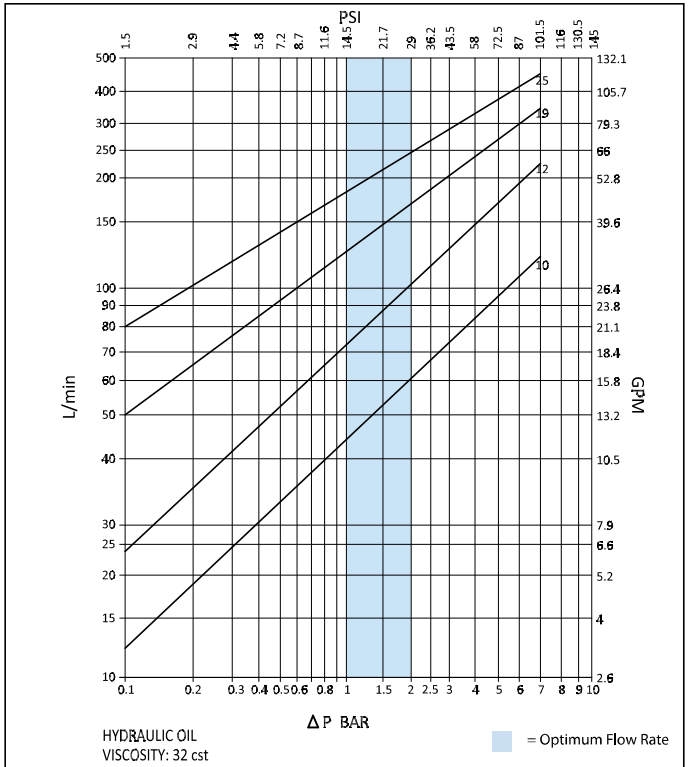


Holmbury Ltd: sales@holmbury.com | +44 (0) 1732 378912

DRAWING



PRESSURE DROP CHARACTERISTICS



DIMENSIONS

Size	Thread Size (A)	B	C	D	ØE	F	G	ØH	ØI	ØJ	Maximum Working Pressure	Burst Pressure (Coupled)	Burst Pressure (Male)	Burst Pressure (Female)
		Dimensions in mm									Bar			
		Dimensions in Inches									Psi			
F 10	3/8"	22.0	24.0	38.0	34.0	60.0	75.0	24.0	27.5	20.0	350	1500	1500	1450
		0.9	0.9	1.5	1.3	2.4	3.0	0.9	1.1	0.8	5075	21750	21750	21025
F 12	1/2"	27.0	30.0	41.5	40.0	65.5	82.5	30.0	33.0	25.0	315	1300	1250	1200
		1.1	1.2	1.6	1.6	2.6	3.2	1.2	1.3	1.0	4567.5	18850	18125	17400
F 19	3/4"	36.0	38.0	46.5	52.0	74.5	92.5	39.0	42.0	33.0	300	1250	1250	1200
		1.4	1.5	1.8	2.0	2.9	3.6	1.5	1.7	1.3	4350	18125	18125	17400
F 25	1"	46.0	45.0	54.5	62.0	88.5	108.0	49.5	49.5	41.0	260	1100	1100	1000
		1.8	1.8	2.1	2.4	3.5	4.3	1.9	1.9	1.6	3770	15950	15950	14500

PSI= Bar x14.5 Inches= mm/25.4

